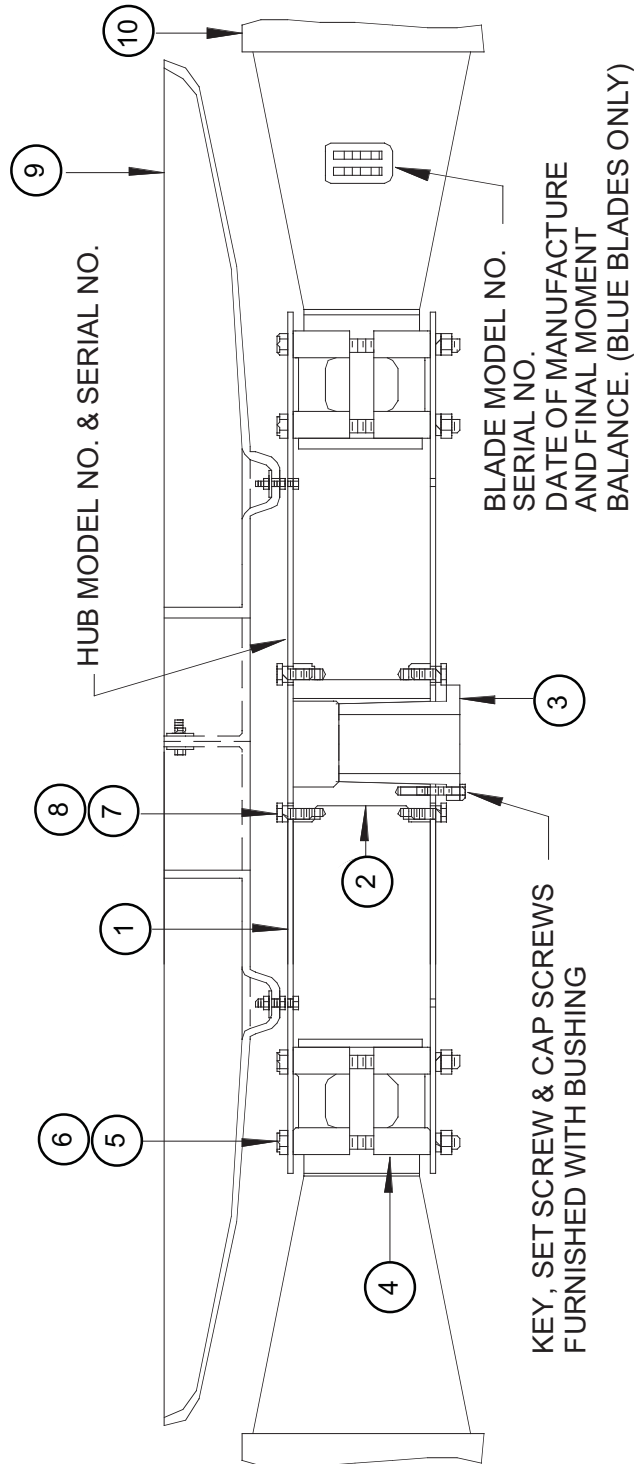


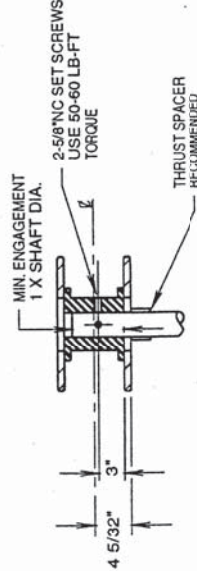
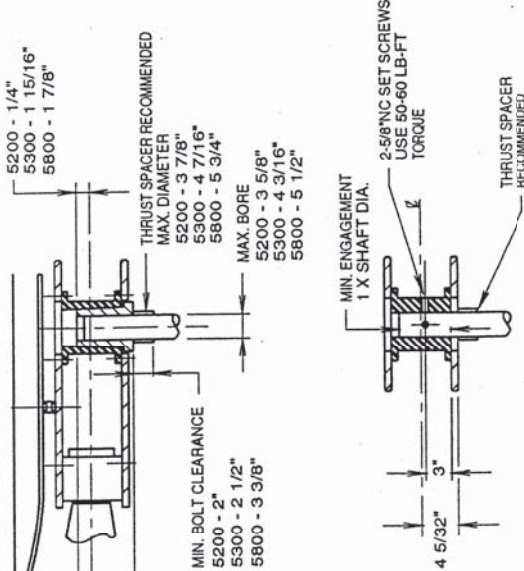
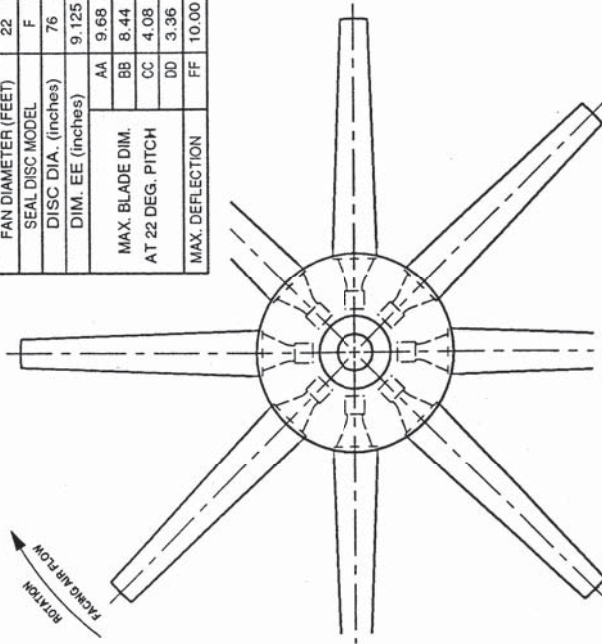
## 5000 Series Tuf-Lite Fans



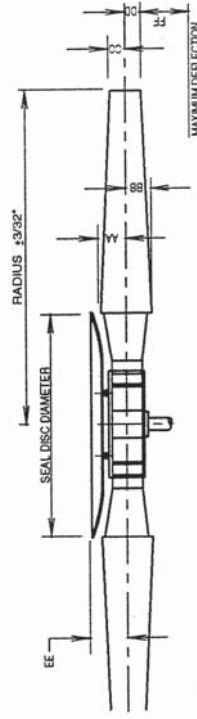
# 5000 Series Tuf-Lite Fans

HS No.	HUB MODELS			FAN WEIGHTS					
	R-2	S-2	STR.	U-1	22	24	26	28	30
6	5206	5306	5406	5806	1168	1234	1298	1358	1400
7	5207	5307	5407	5807	1277	1297	1429	1499	1548
8	5208	5308	5408	5808	1387	1475	1559	1639	1695
9	5209	5309	5409	5809	1497	1596	1690	1780	1843
10	5210	5310	5410	5810	1597	1717	1821	1921	1991
11	5211	5311	5411	5811	1716	1837	1952	2062	2139
12	5212	5312	5412	5812	1826	1958	2082	2202	2286

STANDARD DIMENSIONS - MODEL H BLADES										
FAN DIAMETER (FEET)	22	24	26	28	30					
SEAL DISC MODEL	F	F	G	G	G					
DISC DIA. (inches)	76	76	88	88	88					
DIM. EE (inches)	9.125	9.125	10.125	10.125	10.125					
MAX. BLADE DIM. AT 22 DEG. PITCH	AA	9.68	9.84	9.97	10.07	10.19				
	BB	8.44	8.61	8.76	8.87	9.00				
	CC	4.08	3.75	3.42	3.14	2.81				
	DD	3.36	3.09	2.82	2.59	2.32				
MAX. DEFLECTION	FF	10.00	11.00	12.50	14.00	14.00				



- FOR HUB INSTALLATION AND OPERATION SEE MANUAL IN 5000H.
- THRUST SPACER RECOMMENDED IF GEAR BOX SHAFT HAS NO SHOULDER.
- SPECIAL TAPERED BORES AVAILABLE.
- THE AA, BB, CC, DD DIMENSIONS CAN VARY AS MUCH AS 1/2" DEPENDING ON HOW THE BLADES ARE TRACKED.
- A MINIMUM CLEARANCE OF DIMENSION FF UNDER BLADE TIPS IS REQUIRED.



ACFM	STATIC PRESS.	ALT.	IN. WATER
TEMP.	° F DENSITY RATIO	FT.	
FAN R.P.M.	PITCH ANGLE (APPROX.)	°	0 —
R.S.	° FAN MODEL	HUB MODEL	
BLADE	BORE	KEYWAY	
QTY.			
P.O. NO.	HUDSON JOB NO.	DATE	
APPROVED			
<b>HUDSON PRODUCTS CORPORATION</b> HOUSTON, TEXAS			
<b>CERTIFIED PRINT</b>			
			DRAWING NO. <b>CP-5000H</b>

CRG	RCM	CRG	RCM	CRG	RCM	CRG	RCM	CRG	RCM	CRG	RCM	CRG	RCM	CRG	RCM	DATE
																1/23/95
																4/25/95
																8/4/95



PROJECT NAME AND LOCATION:			
MODEL NO.:			
DWG NAME:			
DRAWING NUMBER:	JOB NUMBER:	SHEET	REV:
A-100		1 of 1	0
SCALE: NO SCALE	COMMENTS:		

REVISIONS			
REV.	DESCRIPTION	DESIGNED BY:	CHECKED BY:
0			
1			
2			
3			
4			

COOLING TOWER DEPOT, INC  
CORPORATE CIRCLE  
GOLDEN, CO 80401  
720-746-1234

JOB NUMBER:	NO SCALE
SCALE:	NO SCALE
DATE:	1 of 1
DWG NO.:	A-100